

444 P

Wheel Loader



JOHN DEERE





ELEVATE YOUR EXPECTATIONS



SEE IT LIKE NEVER BEFORE

New Advanced Vision System includes two digital cameras mounted on the rearview-mirror platforms that integrate with the rearview camera for a single display on a dedicated in-cab monitor. Overlaid within the monitor's rear-camera view, dynamic reversal projected-path lines help operators visualize the loader's anticipated reversal path based on its articulation, for sight lines to people or objects directly within the path.

ABOVE AND BEYOND

MEET THE P-TIER WHEEL LOADERS



**SMARTWEIGH™
PAYLOAD-WEIGHING
SOLUTION IS DEERE
DESIGNED & SUPPORTED**

When your material-handling application needs a heavy-duty lift, add a P-Tier Wheel Loader to your lineup. Combining convenient front-end features with near-parallel lift, spacious operator stations including customizable ergonomic electrohydraulic (EH) controls, streamlined electrical and hydraulic routing, and innovative options, these versatile and productive mid-size models are designed to help you take your operation to the next level.

Take control

Operators can easily control up to six functions without letting go of the ergonomically designed joystick. Two industry-exclusive multifunction buttons can each be programmed to handle any of up to 10 functions selected through the monitor, including bucket vibrate and EH Precision mode.

On your side

All daily service points including fuel refill are conveniently grouped at ground level on the left side of the machine for easy access. Routing of electrical wire harnesses and hydraulic hoses has been streamlined.

Precision Construction

From grade management and obstacle detection to product automation features and jobsite intelligence, this suite of construction technology delivers productivity solutions to help you get more done, more efficiently.

John Deere construction equipment comes with in-base connectivity — free from subscriptions or annual renewals. Analyze critical machine data, track utilization, review diagnostic alerts, and more from **the John Deere Operations Center™**. The Operations Center also enables **John Deere Connected Support™**, which uses data from thousands of connected machines to proactively address issues before they arise. Your dealer can also remotely monitor machine health, diagnose problems, and even update machine software without a trip to the jobsite.*

*Availability varies by region and product.
Options not available in every country.

Material matters

SmartWeigh option features dynamic weighing technology that allows operators to weigh without interrupting workflow and removes the need to lower and reraise the boom after tipoff. Shared through the onboard monitor, SmartWeigh is easy to calibrate and effortlessly integrates with JDLink™ so you can track and visualize payload data from almost anywhere. Available as a factory-installed or field-kit option, you can also try SmartWeigh at a low cost for 250 machine hours.

Level up

AutoLevel enables near-perfect parallelism throughout the boom-raise-and-lower cycle, letting operators set their desired attachment angle to within ± two degrees.



444 \ P

WHEEL LOADER



**VERSATILE BUCKET
+ LINKAGE DESIGNS**

DREAM IT

AND DO IT.

Agility and capability combine with performance and reliability to help keep you productive all day long. With a 444 P-Tier Wheel Loader in your fleet, you might as well consider it done.



Have a seat

Spacious and comfortable cab features extra legroom, an improved HVAC system, additional storage, and a more adjustable seat than earlier models.



Smooth operator

Seat-mounted right-hand joystick features two programmable multifunction buttons and electrohydraulic (EH) controls that are more intuitive to operate compared to our K-Series controls.



Near-parallel lift

Lift path on Z-Bar linkage is near parallel. Better load-leveling capability compared to K-Series models minimizes load rollback, reduces material spillage, and requires fewer manual adjustments. Cross-tube and boom geometry of the Z-Bar linkage has been streamlined to provide a better view to the front attachment.



At the forefront

Featuring bucket and linkage designs that improve load leveling, material retention, and visibility, P-Tier Loaders yield more productivity and performance than previous models. Enhanced-performance buckets with integrated spill guards, curved side cutters, and impressive rollback deliver elevated bucket-fill performance and material retention compared to earlier offerings.



Stick a fork on it

Available in 48-, 60-, and 72-inch lengths, improved shaft-style forks enable better visibility to the fork tips compared to previous models.



Clear advantage

Improved visibility to the work tool helps reduce spillage as well as cycle and tool-changeover times. It also helps minimize machine damage when working on crowded jobsites or up against walls.

444 P-TIER WHEEL LOADER SPECIFICATIONS

While general information, pictures, and descriptions are provided, some illustrations and text may include product options and accessories NOT AVAILABLE in all regions, and in some countries products and accessories may require modifications or additions to ensure compliance with the local regulations of those countries.

Engine		444 P-TIER Z-BAR / HIGH-LIFT	
Manufacturer and Model	John Deere PowerTech™ PSS 4045	Gross Peak Torque (ISO 9249)	550 Nm (405 lb.-ft.) at 1,400 rpm
Non-Road Emission Standard	EPA Final Tier 4/EU Stage V	Net Torque Rise	34%
Cylinders	4	Fuel System (electronically controlled)	High-pressure common rail
Valves Per Cylinder	4	Lubrication	Full-flow spin-on filter and integral cooler
Displacement	4.5 L (276 cu. in.)	Aspiration	Turbocharged, charge air cooled
Net Peak Power (ISO 9249)	92 kW (124 hp) at 2,100 rpm	Air Cleaner	Under-hood, dual-element dry type, restriction indicator in cab monitor for service
Gross Peak Power (ISO 9249)	103 kW (138 hp) at 1,800 rpm		
Net Peak Torque (ISO 9249)	532 Nm (392 lb.-ft.) at 1,400 rpm		
Cooling			
Fan Drive	Hydraulically driven, proportionally controlled, fan aft of coolers		
Electrical			
Electrical System	24 volt with 100-amp alternator (140-amp alternator optional)		
Batteries (2 – 12 volt)	950 CCA (each)		
Transmission System			
Type	Countershaft-type PowerShift™		
Torque Converter	Single stage, single phase		
Shift Control	Electronically modulated, adaptive, load and speed dependent		
Operator Interface	Steering-column or joystick-mounted F-N-R and gear-select lever; kick-down button on hydraulic lever		
Shift Modes	Manual/auto (1st-D or 2nd-D); Quick-Shift button with 2 selectable modes: kick-down or kick-up/down; and 4 clutch cutoff settings		
Maximum Travel Speeds (with 17.5 R 25 tires)			
	<i>Forward</i>	<i>Reverse</i>	
Range 1	7.5 km/h (4.6 mph)	7.9 km/h (4.9 mph)	
Range 2	12.3 km/h (7.6 mph)	13.0 km/h (8.1 mph)	
Range 3	23.4 km/h (14.5 mph)	24.6 km/h (15.3 mph)	
Range 4	35.3 km/h (21.9 mph)	N/A	
Axles/Brakes			
Final Drives	Heavy-duty mid-board planetary		
Differentials	Hydraulic locking front with conventional rear – standard; dual locking front and rear – optional		
Rear Axle Oscillation, Stop to Stop (with 17.5 R 25 tires)	24 deg. (12 deg. each direction)		
Brakes (conform to ISO 3450)			
Service	Outboard, forced oil cooled, multi disc		
Parking	Automatic spring applied, hydraulically released, driveline mounted, sealed wet multi disc		
Tires/Wheels (see page 9 for complete tire adjustments)			
	<i>Tread Width</i>	<i>Width Over Tires</i>	
Michelin 17.5 R 25, 1 Star L-3	1900 mm (74.8 in.)	2415 mm (95.1 in.)	
Serviceability			
Refill Capacities		Refill Capacities (continued)	
Fuel Tank (with lockable cap)	220 L (60 gal.)	Transmission Reservoir With Vertical Filter	18.5 L (19.5 qt.)
Diesel Exhaust Fluid (DEF)	15.6 L (16.5 qt.)	Axle Oil Without Coolers (front and rear, each)	22 L (23 qt.)
Cooling System	24 L (25 qt.)	Hydraulic Reservoir and Filter	82.1 L (21.7 gal.)
Engine Oil With Vertical Spin-On Filter	14.5 L (15.3 qt.)	Park Brake Oil (wet disc)	0.35 L (12 oz.)
Hydraulic System/Steering			
Pump (loader and steering)	Variable-displacement, axial-piston pump; closed-center, pressure-compensating system		
Maximum Rated Flow at 6895 kPa (1,000 psi) and 2,350 rpm	136 L/m (36 gpm)		
System Relief Pressure (loader and steering)	24 821 kPa (3,600 psi)		
Loader Controls	2-function valve; joystick control or fingertip controls; hydraulic-function enable/disable; optional 3rd-function valve with roller or auxiliary lever and 4th-function valve with dual roller		
Steering (conforms to ISO 5010)			
Type	Power, fully hydraulic		
Articulation Angle	80-deg. arc (40 deg. each direction)		
Turning Radius (measured to centerline of outside tire)	4.74 m (15 ft. 7 in.)		

444 P-TIER WHEEL LOADER SPECIFICATIONS

444

P

While general information, pictures, and descriptions are provided, some illustrations and text may include product options and accessories NOT AVAILABLE in all regions, and in some countries products and accessories may require modifications or additions to ensure compliance with the local regulations of those countries.

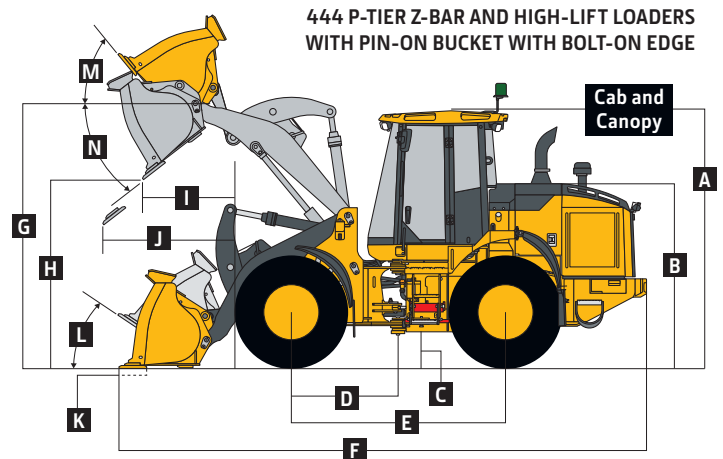
Hydraulic System/Steering (continued) 444 P-TIER Z-BAR / HIGH-LIFT

Hydraulic Cycle Times	
Raise	5.8 sec.
Dump	1.4 sec.
Lower (power down)	4.0 sec.
Total	11.2 sec.

Bucket Capacity Range

Bucket Type	
Pin-On	1.9 m ³ (2.5 cu. yd.)
Coupler	1.9–3.4 m ³ (2.5–4.5 cu. yd.)

Dimensions and Specifications With Pin-On Bucket With Bolt-On Edge



444 P-TIER Z-BAR AND HIGH-LIFT LOADERS WITH PIN-ON BUCKET WITH BOLT-ON EDGE

	Z-Bar	High-Lift
Dimensions With Bucket With Bolt-On Edge (illustration above right)		
A Height to Top of Cab and Canopy	3.19 m (10 ft. 6 in.)	3.19 m (10 ft. 6 in.)
B Hood Height	2.24 m (7 ft. 4 in.)	2.24 m (7 ft. 4 in.)
C Ground Clearance	305 mm (12 in.)	305 mm (12 in.)
D Length From Centerline to Front Axle	1.38 m (4 ft. 6 in.)	1.38 m (4 ft. 6 in.)
E Wheelbase	2.76 m (9 ft. 1 in.)	2.76 m (9 ft. 1 in.)
F Overall Length, Bucket on Ground	6.93 m (22 ft. 9 in.)	7.32 m (24 ft. 0 in.)
G Height to Hinge Pin, Fully Raised	3.56 m (11 ft. 8 in.)	3.96 m (13 ft. 0 in.)
H Dump Clearance, 45 deg., Full Height	2.56 m (8 ft. 5 in.)	2.96 m (9 ft. 9 in.)
I Reach, 45-deg. Dump, Full Height	0.94 m (3 ft. 1 in.)	0.95 m (3 ft. 2 in.)
J Reach, 45-deg. Dump, 2.13-m (7 ft. 0 in.) Clearance	1.29 m (4 ft. 3 in.)	1.64 m (5 ft. 5 in.)
K Maximum Digging Depth	191 mm (7.5 in.)	250 mm (9.8 in.)
L Maximum Rollback at Ground Level	42 deg.	44 deg.
M Maximum Rollback, Boom Fully Raised	60 deg.	60 deg.
N Maximum Bucket Dump Angle, Fully Raised	48 deg.	45 deg.
Loader Clearance Circle, Bucket Carry Position	10.96 m (36 ft. 0 in.)	11.30 m (37 ft. 1 in.)
Specifications With Bucket With Bolt-On Edge		
Capacity, Heaped	1.9 m ³ (2.5 cu. yd.)	1.9 m ³ (2.5 cu. yd.)
Capacity, Struck	1.5 m ³ (2.0 cu. yd.)	1.5 m ³ (2.0 cu. yd.)
Bucket Weight With Bolt-On Cutting Edge	945 kg (2,082 lb.)	979 kg (2,158 lb.)
Bucket Width	2.55 m (8 ft. 4 in.)	2.55 m (8 ft. 4 in.)
Breakout Force	8841 kg (19,491 lb.)	8812 kg (19,428 lb.)
Tipping Load, Straight, No Tire Deflection	8884 kg (19,586 lb.)	7538 kg (16,618 lb.)
Tipping Load, Straight, With Tire Deflection	8400 kg (18,519 lb.)	7167 kg (15,801 lb.)
Tipping Load, 40-deg. Full Turn, No Tire Deflection	7732 kg (17,047 lb.)	6525 kg (14,386 lb.)
Tipping Load, 40-deg. Full Turn, With Tire Deflection	7149 kg (15,761 lb.)	6072 kg (13,386 lb.)
Rated Operating Load, 50% Full-Turn Tipping Load, No Tire Deflection (conforms to ISO 14397-1)*	3866 kg (8,523 lb.)	3263 kg (7,193 lb.)
Rated Operating Load, 50% Full-Turn Tipping Load, With Tire Deflection (conforms to ISO 14397-1)*	3575 kg (7,880 lb.)	3036 kg (6,693 lb.)
Operating Weight	11 709 kg (25,814 lb.)	11 846 kg (26,116 lb.)

Loader operating information is based on machine with identified linkage and standard equipment, PowerTech PSS 4045 (EPA Final Tier 4/EU Stage V) engine, ROPS cab, rear cast bumper/counterweight, transmission side-frame guards, bottom guards, standard tires, full fuel tank, and 79-kg (175 lb.) operator. This information is affected by changes in tires, ballast, and different attachments.

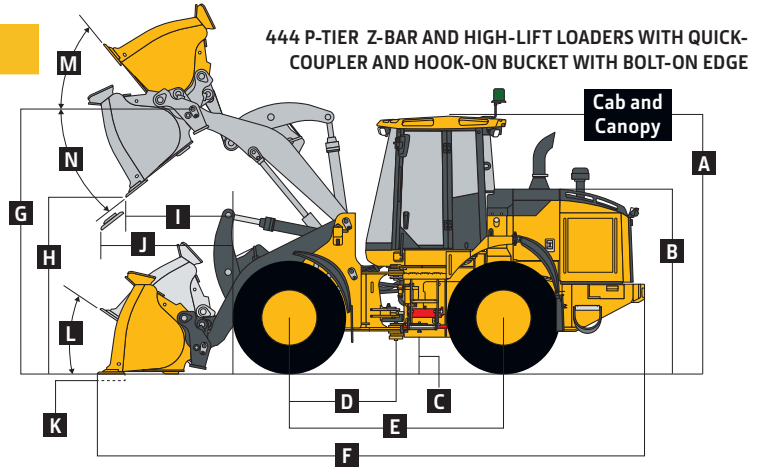
*Rated operating capacity based on Deere attachments only.

444 P-TIER

While general information, pictures, and descriptions are provided, some illustrations and text may include product options and accessories NOT AVAILABLE in all regions, and in some countries products and accessories may require modifications or additions to ensure compliance with the local regulations of those countries.

Dimensions and Specifications With Hi-Vis Coupler and Hook-On Bucket With Bolt-On Edge

444 P-TIER Z-BAR / HIGH-LIFT



444 P-TIER Z-BAR AND HIGH-LIFT LOADERS WITH QUICK-COUPLER AND HOOK-ON BUCKET WITH BOLT-ON EDGE

	Z-Bar	Z-Bar	High-Lift	High-Lift
Dimensions With Bucket With Bolt-On Edge (illustration above right)	1.9-m ³ (2.5 cu. yd.) enhanced performance	3.1-m ³ (4.0 cu. yd.) light material	1.9-m ³ (2.5 cu. yd.) enhanced performance	3.1-m ³ (4.0 cu. yd.) light material
A Height to Top of Cab and Canopy	3.19 m (10 ft. 6 in.)	3.19 m (10 ft. 6 in.)	3.19 m (10 ft. 6 in.)	3.19 m (10 ft. 6 in.)
B Hood Height	2.24 m (7 ft. 4 in.)	2.24 m (7 ft. 4 in.)	2.24 m (7 ft. 4 in.)	2.24 m (7 ft. 4 in.)
C Ground Clearance	305 mm (12 in.)	305 mm (12 in.)	305 mm (12 in.)	305 mm (12 in.)
D Length From Centerline to Front Axle	1.38 m (4 ft. 6 in.)	1.38 m (4 ft. 6 in.)	1.38 m (4 ft. 6 in.)	1.38 m (4 ft. 6 in.)
E Wheelbase	2.76 m (9 ft. 1 in.)	2.76 m (9 ft. 1 in.)	2.76 m (9 ft. 1 in.)	2.76 m (9 ft. 1 in.)
F Overall Length, Bucket on Ground	7.07 m (23 ft. 2 in.)	7.30 m (23 ft. 11 in.)	7.47 m (24 ft. 6 in.)	7.69 m (25 ft. 3 in.)
G Height to Hinge Pin, Fully Raised	3.56 m (11 ft. 8 in.)	3.56 m (11 ft. 8 in.)	3.96 m (13 ft. 0 in.)	3.96 m (13 ft. 0 in.)
H Dump Clearance, 45 deg., Full Height	2.48 m (8 ft. 2 in.)	2.33 m (7 ft. 8 in.)	2.88 m (9 ft. 5 in.)	2.73 m (9 ft. 0 in.)
I Reach, 45-deg. Dump, Full Height	1.09 m (3 ft. 7 in.)	1.25 m (4 ft. 1 in.)	1.10 m (3 ft. 7 in.)	1.26 m (4 ft. 2 in.)
J Reach, 45-deg. Dump, 2.13-m (7 ft. 0 in.) Clearance	1.38 m (4 ft. 6 in.)	1.43 m (4 ft. 8 in.)	1.74 m (5 ft. 9 in.)	1.81 m (5 ft. 11 in.)
K Maximum Digging Depth	161 mm (6.3 in.)	172 mm (6.8 in.)	220 mm (8.7 in.)	231 mm (9.1 in.)
L Maximum Rollback at Ground Level	42 deg.	42 deg.	44 deg.	44 deg.
M Maximum Rollback, Boom Fully Raised	60 deg.	60 deg.	60 deg.	60 deg.
N Maximum Bucket Dump Angle, Fully Raised	48 deg.	48 deg.	45 deg.	45 deg.
Loader Clearance Circle, Bucket Carry Position	10.98 m (36 ft. 1 in.)	11.38 m (37 ft. 4 in.)	11.28 m (37 ft. 0 in.)	11.66 m (38 ft. 3 in.)
Specifications With Bucket With Bolt-On Edge				
Capacity, Heaped	1.9 m ³ (2.5 cu. yd.)	3.1 m ³ (4.0 cu. yd.)	1.9 m ³ (2.5 cu. yd.)	3.1 m ³ (4.0 cu. yd.)
Capacity, Struck	1.5 m ³ (2.0 cu. yd.)	2.6 m ³ (3.4 cu. yd.)	1.5 m ³ (2.0 cu. yd.)	2.6 m ³ (3.4 cu. yd.)
Bucket Weight With Bolt-On Cutting Edge	945 kg (2,082 lb.)	1233 kg (2,719 lb.)	945 kg (2,082 lb.)	1233 kg (2,719 lb.)
Bucket Width	2.55 m (8 ft. 4 in.)	2.90 m (9 ft. 6 in.)	2.55 m (8 ft. 4 in.)	2.90 m (9 ft. 6 in.)
Breakout Force	7394 kg (16,301 lb.)	5999 kg (13,225 lb.)	7369 kg (16,246 lb.)	5977 kg (13,177 lb.)
Tipping Load, Straight, No Tire Deflection	8214 kg (18,109 lb.)	7758 kg (17,103 lb.)	6954 kg (15,332 lb.)	6528 kg (14,391 lb.)
Tipping Load, Straight, With Tire Deflection	7740 kg (17,064 lb.)	7266 kg (16,019 lb.)	6591 kg (14,531 lb.)	6147 kg (13,552 lb.)
Tipping Load, 40-deg. Full Turn, No Tire Deflection	7106 kg (15,666 lb.)	6663 kg (14,689 lb.)	5975 kg (13,173 lb.)	5558 kg (12,254 lb.)
Tipping Load, 40-deg. Full Turn, With Tire Deflection	6534 kg (14,405 lb.)	6069 kg (13,380 lb.)	5529 kg (12,189 lb.)	5082 kg (11,204 lb.)
Rated Operating Load, 50% Full-Turn Tipping Load, No Tire Deflection (conforms to ISO 14397-1)*	3553 kg (7,833 lb.)	3331 kg (7,344 lb.)	2988 kg (6,586 lb.)	2779 kg (6,127 lb.)
Rated Operating Load, 50% Full-Turn Tipping Load, With Tire Deflection (conforms to ISO 14397-1)*	3267 kg (7,202 lb.)	3035 kg (6,690 lb.)	2765 kg (6,095 lb.)	2541 kg (5,602 lb.)
Operating Weight	12 083 kg (26,639 lb.)	12 414 kg (27,368 lb.)	12 220 kg (26,941 lb.)	12 551 kg (27,670 lb.)

Loader operating information is based on machine with identified linkage and standard equipment, PowerTech PSS 4045 (EPA Final Tier 4/EU Stage V) engine, ROPS cab, rear cast bumper/counterweight, transmission side-frame guards, bottom guards, standard tires, full fuel tank, and 79-kg (175 lb.) operator. This information is affected by changes in tires, ballast, and different attachments.

*Rated operating capacity based on Deere attachments only.

Dimensions and Specifications With Hi-Vis Coupler and Construction Forks

	Z-Bar	Z-Bar	High-Lift	High-Lift
Dimensions With Forks (illustration at top of next page)	1.22-m (48 in.) tine length	1.52-m (60 in.) tine length	1.22-m (48 in.) tine length	1.52-m (60 in.) tine length
A Height to Top of Cab and Canopy	3.19 m (10 ft. 6 in.)	3.19 m (10 ft. 6 in.)	3.19 m (10 ft. 6 in.)	3.19 m (10 ft. 6 in.)
B Hood Height	2.24 m (7 ft. 4 in.)	2.24 m (7 ft. 4 in.)	2.24 m (7 ft. 4 in.)	2.24 m (7 ft. 4 in.)
C Ground Clearance	305 mm (12 in.)	305 mm (12 in.)	305 mm (12 in.)	305 mm (12 in.)
D Length From Centerline to Front Axle	1.38 m (4 ft. 6 in.)	1.38 m (4 ft. 6 in.)	1.38 m (4 ft. 6 in.)	1.38 m (4 ft. 6 in.)
E Wheelbase	2.76 m (9 ft. 1 in.)	2.76 m (9 ft. 1 in.)	2.76 m (9 ft. 1 in.)	2.76 m (9 ft. 1 in.)
F Overall Length, Forks on Ground	7.57 m (24 ft. 10 in.)	7.88 m (25 ft. 10 in.)	7.97 m (26 ft. 2 in.)	8.28 m (27 ft. 2 in.)
G Height to Hinge Pin, Fully Raised	3.56 m (11 ft. 8 in.)	3.56 m (11 ft. 8 in.)	3.96 m (13 ft. 0 in.)	3.96 m (13 ft. 0 in.)
H Reach, Fully Raised	890 mm (35 in.)	890 mm (35 in.)	900 mm (35 in.)	900 mm (35 in.)
I Fork Height, Fully Raised	3.23 m (10 ft. 7 in.)	3.23 m (10 ft. 7 in.)	3.63 m (11 ft. 11 in.)	3.63 m (11 ft. 11 in.)
J Maximum Reach, Fork Level	1.61 m (5 ft. 3 in.)	1.61 m (5 ft. 3 in.)	1.91 m (6 ft. 3 in.)	1.91 m (6 ft. 3 in.)
K Fork Height, Maximum Reach	1.50 m (4 ft. 11 in.)	1.50 m (4 ft. 11 in.)	1.51 m (4 ft. 11 in.)	1.51 m (4 ft. 11 in.)
L Reach, Ground Level	1.11 m (3 ft. 8 in.)	1.11 m (3 ft. 8 in.)	1.48 m (4 ft. 10 in.)	1.48 m (4 ft. 10 in.)
M Depth Below Ground	160 mm (6 in.)	160 mm (6 in.)	220 mm (9 in.)	220 mm (9 in.)
N Tine Length	1.22 m (48 in.)	1.52 m (60 in.)	1.22 m (48 in.)	1.52 m (60 in.)
O Load Position, 50% Tine Length	610 mm (24 in.)	760 mm (30 in.)	610 mm (24 in.)	760 mm (30 in.)

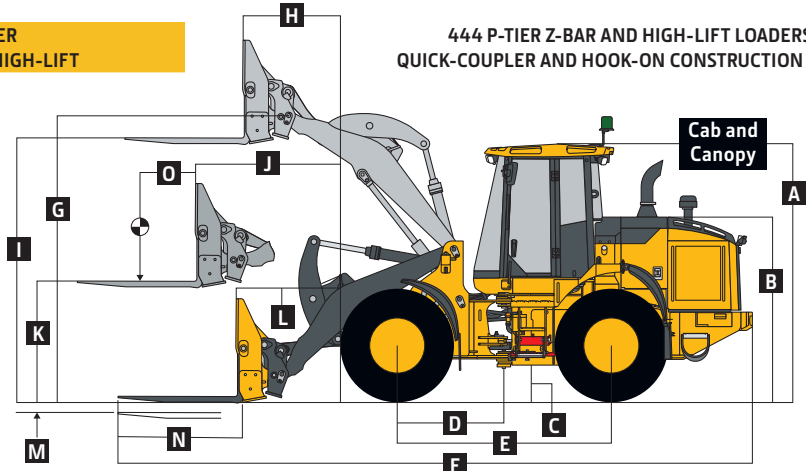
While general information, pictures, and descriptions are provided, some illustrations and text may include product options and accessories NOT AVAILABLE in all regions, and in some countries products and accessories may require modifications or additions to ensure compliance with the local regulations of those countries.

444 P-TIER

Dimensions and Specifications With Hi-Vis Coupler and Construction Forks (continued)

444 P-TIER Z-BAR / HIGH-LIFT

444 P-TIER Z-BAR AND HIGH-LIFT LOADERS WITH QUICK-COUPLER AND HOOK-ON CONSTRUCTION FORKS



	Z-Bar	Z-Bar	High-Lift	High-Lift
Specifications With Forks (illustration above right)				
Tipping Load, Straight, No Tire Deflection	5905 kg (13,018 lb.)	5541 kg (12,216 lb.)	5192 kg (11,446 lb.)	4888 kg (10,777 lb.)
Tipping Load, Straight, With Tire Deflection	5727 kg (12,626 lb.)	5376 kg (11,852 lb.)	5037 kg (11,105 lb.)	4743 kg (10,457 lb.)
Tipping Load, 40-deg. Full Turn, No Tire Deflection	5107 kg (11,259 lb.)	4783 kg (10,545 lb.)	4461 kg (9,835 lb.)	4191 kg (9,238 lb.)
Tipping Load, 40-deg. Full Turn, With Tire Deflection	4884 kg (10,767 lb.)	4575 kg (10,086 lb.)	4266 kg (9,405 lb.)	3996 kg (8,810 lb.)
Rated Operating Load, 50% Full-Turn Tipping Load, With Tire Deflection (conforms to ISO 14397-1 and SAE J1197)*	2442 kg (5,384 lb.)	2288 kg (5,043 lb.)	2133 kg (4,702 lb.)	1998 kg (4,405 lb.)
Rated Operating Load, Rough Terrain, 60% Full-Turn Tipping Load, With Tire Deflection (conforms to EN474-3)*	2930 kg (6,460 lb.)	2745 kg (6,052 lb.)	2560 kg (5,643 lb.)	2398 kg (5,286 lb.)
Rated Operating Load, Firm and Level Ground, 80% Full-Turn Tipping Load, With Tire Deflection (conforms to EN474-3)*	3907 kg (8,614 lb.)	3660 kg (8,069 lb.)	3413 kg (7,524 lb.)	3197 kg (7,048 lb.)
Operating Weight	11 979 kg (26,409 lb.)	12 039 kg (26,542 lb.)	12 116 kg (26,711 lb.)	12 176 kg (26,844 lb.)

Loader operating information is based on machine with identified linkage and standard equipment, PowerTech PSS 4045 (EPA Final Tier 4/EU Stage V) engine, ROPS cab, rear cast bumper/counterweight, transmission side-frame guards, bottom guards, standard tires, full fuel tank, and 79-kg (175 lb.) operator. This information is affected by changes in tires, ballast, and different attachments.

*Rated operating capacity based on Deere attachments only.

Adjustments to Operating Weights and Tipping Loads With Buckets

Adjustments to operating weights, tipping loads, and tires are based on Z-Bar machine with pin-on 1.9-m³ (2.5 cu. yd.) enhanced-performance bucket with bolt-on cutting edge, ROPS cab, rear cast bumper/counterweight, transmission side-frame guards, bottom guards, standard tires, full fuel tank, and 79-kg (175 lb.) operator*

Add (+) or deduct (-) kg (lb.) as indicated for loaders with 3-piece rims	Operating Weight	Tipping Load, Straight	Tipping Load, 40-deg. Full Turn	Tread Width	Width Over Tires	Vertical Height
Michelin 17.5 R 25, 1 Star L-3 XHA2	0 kg (0 lb.)	0 kg (0 lb.)	0 kg (0 lb.)	0 mm (0 in.)	0 mm (0 in.)	0 mm (0 in.)
Michelin 17.5 R 25, 1 Star L-2	-61 kg (-135 lb.)	-42 kg (-93 lb.)	-37 kg (-82 lb.)	0 mm (0 in.)	0 mm (0 in.)	+23 mm (+0.9 in.)
Bridgestone 17.5 R 25, 1 Star L-2	-9 kg (-21 lb.)	-6 kg (-14 lb.)	-6 kg (-13 lb.)	0 mm (0 in.)	-20 mm (-0.8 in.)	+35 mm (+1.4 in.)
Titan 17.5 R 25, 1 Star L-2	-7 kg (-16 lb.)	-5 kg (-11 lb.)	-5 kg (-10 lb.)	0 mm (0 in.)	-14 mm (-0.6 in.)	+35 mm (+1.4 in.)
Firestone 17.5-25, 12 PR L-3	-159 kg (-351 lb.)	-110 kg (-242 lb.)	-97 kg (-214 lb.)	0 mm (0 in.)	-2 mm (-0.1 in.)	+45 mm (+1.8 in.)
Firestone 17.5-25, 12 PR L-2	-151 kg (-334 lb.)	-104 kg (-230 lb.)	-92 kg (-203 lb.)	0 mm (0 in.)	-2 mm (-0.1 in.)	+47 mm (+1.9 in.)
Titan 20.5-25, 12 PR L-2 ^{5b}	+121 kg (+266 lb.)	+83 kg (+183 lb.)	+73 kg (+162 lb.)	+50 mm (+2 in.)	+127 mm (+5.0 in.)	+105 mm (+4.1 in.)
Michelin 20.5 R 25, 1 Star L-2 ^{5b}	+229 kg (+504 lb.)	+158 kg (+347 lb.)	+139 kg (+307 lb.)	+50 mm (+2 in.)	+123 mm (+4.8 in.)	+96 mm (+3.8 in.)
Bridgestone 20.5 R 25, 1 Star L-2 ^{5b}	+321 kg (+707 lb.)	+221 kg (+487 lb.)	+195 kg (+430 lb.)	+50 mm (+2 in.)	+122 mm (+4.8 in.)	+97 mm (+3.8 in.)
Titan 20.5 R 25, 1 Star L-2 ^{5b}	+519 kg (+1,143 lb.)	+357 kg (+788 lb.)	+315 kg (+695 lb.)	+50 mm (+2 in.)	+112 mm (+4.4 in.)	+97 mm (+3.8 in.)
Michelin 20.5 R 25 L2 Sno-Plus ^b	+284 kg (+626 lb.)	+196 kg (+432 lb.)	+173 kg (+381 lb.)	+52 mm (+2 in.)	+127 mm (+5.0 in.)	+90 mm (+3.5 in.)
CaCl ₂ in 17.5-25 Rear Tires, 75% Fill	+606 kg (+1,337 lb.)	+836 kg (+1,843 lb.)	+738 kg (+1,626 lb.)	N/A	N/A	N/A

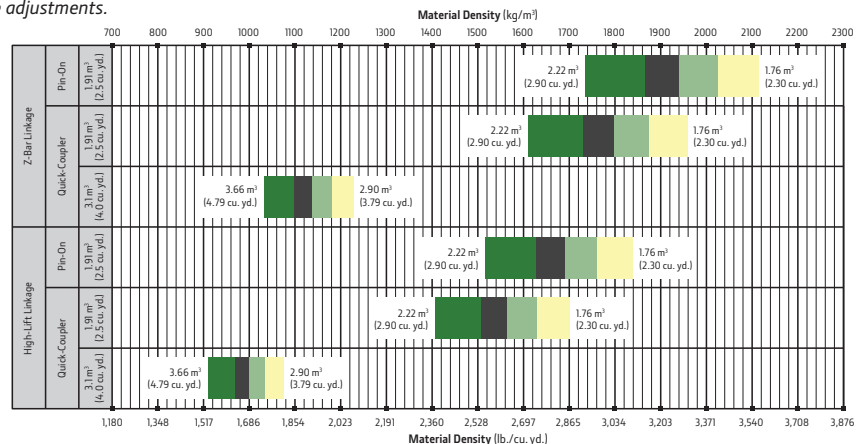
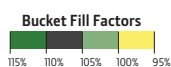
*May change based on vehicle configuration, weight, or tire-pressure adjustments.

⁵CaCl₂ not recommended.

^bRequires 8-deg. rear axle stops.

Bucket Selection Guides

LOOSE MATERIALS	kg/m ³	lb./cu. yd.	LOOSE MATERIALS	kg/m ³	lb./cu. yd.
Chips, pulpwood	288	486	Limestone, coarse, sized	1570	2,646
Cinders (coal, ashes, clinkers)	673	1,134	Limestone, mixed sizes	1682	2,835
Clay and gravel, dry	1602	2,700	Limestone, pulverized or crushed	1362	2,295
Clay, compact, solid	1746	2,943	Sand, damp	2083	3,510
Clay, dry in lump loose	1009	1,701	Sand, dry	1762	2,970
Clay, excavated in water	1282	2,160	Sand, voids, full of water	2083	3,510
Coal, anthracite, broken, loose	865	1,458	Sandstone, quarried	1314	2,214
Coal, bituminous, moderately wet	801	1,350	Shale, broken crushed	1362	2,295
Earth, common loam, dry	1218	2,052	Slag, furnace granulated	1955	3,294
Earth, mud, packed	1843	3,105	Stone or gravel, 37.5 to 87.5-mm (1.5 to 3.5") size	1442	2,430
Granite, broken	1538	2,592	Stone or gravel, 18.75-mm (0.75") size	1602	2,700
Gypsum	2275	3,834			



Additional equipment

Key: ● Standard ▲ Optional or special

See your John Deere dealer for further information.

444 P Engine

- Wet-sleeve cylinder liners
- Programmable auto-idle and auto shutdown
- Selected idle adjustment from 900–1,250 rpm
- Starter excessive-cranking protection
- Automatic engine cool-down timer
- Automatic derating for exceeded system temperatures
- Serpentine drive belt for automatic tensioner
- Electrical fuel-priming pump
- Dual-stage fuel filter and water separator
- 500-hour vertical spin-on oil filter
- ▲ Engine-compartment light
- ▲ Chrome exhaust stack
- Automatic glow plugs for cold start
- ▲ Engine-block heater (recommended for cold starts below –23 deg. C [–10 deg. F])
- ▲ Centrifugal engine air pre-cleaner
- ▲ Throttle lock

Powertrain

- Clutch cutoff with 4 operator settings: Automatic, level ground, small slope, or steep slope
- Programmable maximum high gear
- Clutch calibration engaged from monitor
- 2,000-hour vertical spin-on transmission filter
- Transmission fill tube and sight gauge
- Transmission diagnostic ports
- 4-speed transmission with non-lockup torque converter
- Front locking differential
- ▲ Rear locking differential
- Brake retractors and adjusters
- ▲ Automatic differential lock
- Axle oil temperature sensing
- ▲ Wheel-spin control

Quad-Cool™ Cooling System

- Heavy-duty, trash-resistant radiator and high-ambient cooling package
- 2-side access to all coolers

444 P Quad-Cool Cooling System (continued)

- Isolated from engine compartment
- Engine radiator
- Engine oil cooler
- Hydraulic oil cooler (oil to air)
- Transmission oil cooler (oil to air)
- Charge air cooler (air to air)
- Fuel cooler
- Coolant recovery tank
- Antifreeze, –37 deg. C (–34 deg. F)
- Cool-on-demand, hydraulically driven, swing-out fan
- Enclosed fan safety guard
- ▲ Automatic reversing fan drive
- ▲ Axle and service-brake coolers

Hydraulics

- Electrohydraulic (EH) controls with soft stops and adjustable settings
- In-cab adjustable automatic return-to-dig bucket positioner
- In-cab adjustable automatic boom-height kickout/return to carry
- Reservoir with sight gauge and fill strainer
- Hydraulic diagnostic ports
- 4,000-hour in-tank filter
- 2 function — joystick with F-N-R
- ▲ 2 function — 2-lever fingertip controls and steering column F-N-R
- ▲ 3 function — joystick with F-N-R and integrated 3rd-function roller
- ▲ 3 function — 3-lever fingertip controls and steering column F-N-R
- ▲ 4 function — joystick with F-N-R and integrated 3rd/4th-function rollers
- Programmable multifunction buttons (2)
- Adjustable and continuous hydraulic-flow settings
- Programmable attachment settings
- ▲ Ride control, automatic with monitor-adjustable speed settings
- ▲ Hydraulic control system for quick-coupler locking pins
- ▲ Hydraul™ XR cold-temperature hydraulic fluid recommended below –25 deg. C (–13 deg. F)

444 P Steering Systems

- Conventional steering wheel with spinner knob
 - ▲ Secondary steering
- ## Electrical
- Solid-state electrical power-distribution system
 - Lockable master electrical-disconnect switch
 - Battery-terminal safety covers
 - By-pass start safety cover at starter
 - Remote jump-start access in battery box
 - Pre-wired for beacon/strobe light
 - Lights: Halogen driving lights with guards (2) / Front (4), rear cab (2), and rear grille (2) work lights / LED front turn signals and flashers / LED stop- and taillights
 - ▲ Premium LED light package (all exterior lights are heavy-duty LED)
 - Programmable courtesy lights
 - Horn, electric
 - Reverse warning alarm
 - Multifunction/multi-language 178-mm (7 in.) LCD color monitor includes: Digital instruments — Analog display (hydraulic oil temperature, engine coolant temperature, transmission oil temperature, and engine oil pressure) / Digital display (engine rpm, transmission gear/direction indicator, hour meter, fuel level, diesel exhaust fluid (DEF) level, speedometer, odometer, and average fuel consumption)
 - ▲ Multifunction/multi-language 127-mm (5 in.) LCD color monitor includes: Digital instruments — Analog display (hydraulic oil temperature, engine coolant temperature, transmission oil temperature, and engine oil pressure) / Digital display (engine rpm, transmission gear/direction indicator, hour meter, fuel level, DEF level, speedometer, odometer, and average fuel consumption)
 - ▲ Integrated cycle counter with 5 categories
 - Indicator lights: Standard and selected options / Amber caution and red stop

While general information, pictures, and descriptions are provided, some illustrations and text may include product options and accessories NOT AVAILABLE in all regions, and in some countries products and accessories may require modifications or additions to ensure compliance with the local regulations of those countries.

Net engine power is with standard equipment including air cleaner, exhaust system, alternator, and cooling fan at test conditions per ISO 9249. No derating is required up to 3050-m (10,000 ft.) altitude. Specifications and design subject to change without notice. Specifications with the exception of bucket capacity are in accordance with all applicable ISO standards. Except where otherwise noted, these specifications are based on a unit with applicable linkage and standard equipment, ROPS cab, rear cast bumper/counterweight, transmission side-frame guards, bottom guards, standard tires, full fuel tank, and 79-kg (175 lb.) operator.

Additional equipment *(cont.)*

Key: ● Standard ▲ Optional or special

See your John Deere dealer for further information.

444 P Electrical *(continued)*

- Operator-warning messages
- Built-in diagnostics: Diagnostic-code details / Sensor values / Calibrations / Individual circuit tester
- ▲ Electrical corrosion-prevention package
- Standard AM/FM/Weather-Band (WB) radio with remote auxiliary port
- ▲ Premium AM/FM/WB radio with Bluetooth®, remote auxiliary port, and remote USB port (premium cab only)
- 24- to 12-volt, 8-amp converter and cab power ports (3)
- ▲ 24- to 12-volt, 15- or 30-amp converter and cab power ports (3)

Operator's Station

- Standard cab with air conditioning/heater (ROPS/FOPS Level 1, isolation mounted)
- ▲ Premium cab with air conditioning/heater (ROPS/FOPS Level 1, isolation mounted)
- ▲ Automatic temperature control (premium cab only)
- Rear window defrost vent
- Keyless start with multiple security modes
- Sealed-switch module with function indicators
- Seat with backrest extension, deep foam, fabric cover, and adjustable air suspension
- ▲ Premium seat with high-wide back-and-headrest extension, heated and ventilated, leather/fabric cover, and adjustable heavy-duty air suspension
- Hydraulic controls integrated to seat
- High-visibility, bright-orange seat belt, 76 mm (3 in.), with retractor
- ▲ Seat-belt minder monitoring with JDLink™ and seat-belt indicator beacon
- Cup holder and cup/Thermos® holder with retaining strap
- Lunch-box/cooler holder with tie-down brackets
- Coat hook

444 P Operator's Station *(continued)*

- LED dome and reading light
- Rubber floor mat
- Dual-tilt steering column
- Operator's manual storage compartment
- Outside (2) and inside (1) rearview mirrors
- ▲ Heated outside mirrors with convex lens
- ▲ In-cab adjustable heated outside mirrors with convex lens (premium cab only)
- Left-side operator-station access
- Fall-arrest system anchor points tested to 2268 kg (5,000 lb.) on front of cab
- Slip-resistant steps and ergonomic handholds
- Pull-down front sun visor
- Front and rear intermittent windshield wipers and washers
- ▲ Powered cab air pre-cleaner
- ▲ Beacon bracket only
- ▲ Beacon bracket with strobe beacon
- Rearview camera
- ▲ Rearview camera with radar object-detection system
- ▲ Dedicated 178-mm (7 in.) rear camera display
- ▲ Advanced rear object-detection system
- ▲ Advanced vision system
- Payload scale ready
- ▲ SmartWeigh™ ready + trial
- ▲ SmartWeigh
- ▲ Fire extinguisher

Loader Linkage

- Z-Bar loader linkage (parallel lift)
- ▲ High-Lift Z-Bar loader linkage (parallel lift)

Buckets and Attachments

- ▲ Full line of Deere pin-on buckets, coupler buckets, and forks
- ▲ John Deere hydraulic coupler that accepts JRB-pattern attachments
- ▲ Hi-Vis hydraulic coupler that accepts Euro-pattern attachments (ISO)

444 P Overall Vehicle

- JDLink wireless communication system (available in specific countries; see your dealer for details)
- NeverGrease™ rear-axle oscillation
- Front and rear tie-downs
- Rear cast bumper/counterweight with rear hitch and locking pin
- Articulation locking bar
- Loader boom service locking bar
- 40-deg. steering articulation to each side with rubber-cushion stops on frame
- Vandal protection with lockable engine enclosures, right counterweight storage, and filler access for radiator/fuel/DEF/hydraulic transmission
- Left-side service steps and handholds
- ▲ Right-side service steps and handrails
- ▲ Left-side close-mounted steps
- Storage compartment
- Fuel-tank fill strainer
- Heavy-duty fuel-tank guard
- Ground-level fuel and DEF fill
- Same-side ground-level daily servicing
- 17.5R25 tires on 3-piece rims
- ▲ 20.5R25 tires on 3-piece rims
- ▲ Environmental drains and sample ports for engine, transmission, hydraulic oils, and engine coolant
- Fenders, front narrow
- ▲ Fenders, front full width
- ▲ Fenders, front and rear full width
- ▲ Fenders, front and rear full width with mud flaps
- ▲ Less wheels and tires with axle stops
- ▲ Rims less tires
- ▲ Transmission side-frame and bottom guards
- ▲ Lift eyes
- ▲ License-plate bracket and light

While general information, pictures, and descriptions are provided, some illustrations and text may include product options and accessories NOT AVAILABLE in all regions, and in some countries products and accessories may require modifications or additions to ensure compliance with the local regulations of those countries.

Net engine power is with standard equipment including air cleaner, exhaust system, alternator, and cooling fan at test conditions per ISO 9249. No derating is required up to 3050-m (10,000 ft.) altitude. Specifications and design subject to change without notice. Specifications with the exception of bucket capacity are in accordance with all applicable ISO standards. Except where otherwise noted, these specifications are based on a unit with applicable linkage and standard equipment, ROPS cab, rear cast bumper/counterweight, transmission side-frame guards, bottom guards, standard tires, full fuel tank, and 79-kg (175 lb.) operator.



MW444PAU (23-03)



JOHN DEERE